

LEVER BODY

Turned and black-oxide steel.

HANDLE

Phenolic based (PF) Duroplast, black colour, glossy finish 1.280 (see page 648).

STANDARD EXECUTIONS

Black-oxide steel clamping element. Steel return spring.
 - Threaded hole.
 - Threaded screw, length as shown in the table.

FEATURES AND APPLICATIONS

Particularly suitable when the lever turning angle is limited owing to lack of space.

SPECIAL EXECUTIONS ON REQUEST

- AISI 303 stainless steel for diameters D = 21 - 24 - 28.
 - Straight arm.

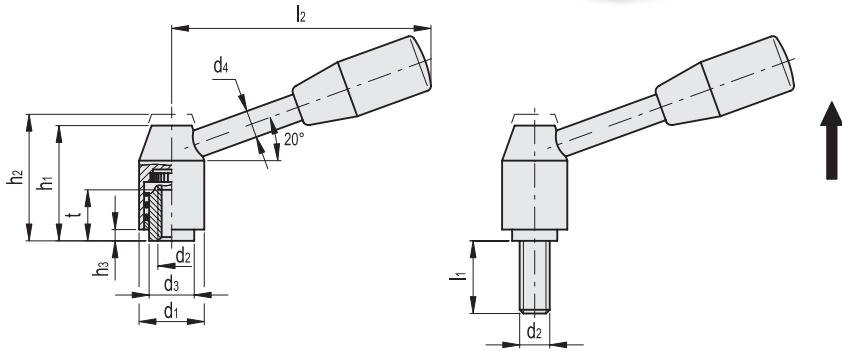
INSTRUCTIONS OF USE

For clamping, lift the lever to disengage the clamping device teeth and bring it back to start position. By releasing the lever, the return spring automatically engages the teeth.



Conversion Table
1 mm = 0.039 inch

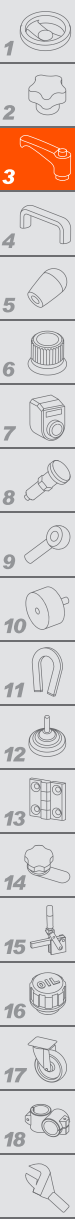
d1	
mm	inch
21	0.83
24	0.94
28	1.10
33	1.30
40	1.57



METRIC

Code	Description	d1	d2	d3	d4	h1	h2	h3	l1	l2	tmin	⚖️
GN.17101	GN 212.4-21-M6-E	21	M6	13.5	8	33.5	37.5	1	87	11	102	
GN.17102	GN 212.4-21-M8-E	21	M8	13.5	8	33.5	37.5	1	87	11	95	
GN.17111	GN 212.4-24-M10-E	24	M10	16	10	40	44.5	2.5	101.5	14	156	
GN.17121	GN 212.4-28-M12-E	28	M12	19	12	48.5	53	4.5	116	17	251	
GN.17131	GN 212.4-33-M12-E	33	M12	23	12	55	60.5	6	131.5	23	367	
GN.17132	GN 212.4-33-M16-E	33	M16	23	12	55	60.5	6	131.5	23	338	
GN.17141	GN 212.4-40-M20-E	40	M20	28	14	68	73.5	6	148	36	576	

Code	Description	d1	d2	d3	d4	h1	h2	h3	l1	l2	⚖️
GN.17201	GN 212.4-21-M8-25-E	21	M8	13.5	8	33.5	37.5	1	25	87	112
GN.17202	GN 212.4-21-M8-32-E	21	M8	13.5	8	33.5	37.5	1	32	87	114
GN.17203	GN 212.4-21-M8-40-E	21	M8	13.5	8	33.5	37.5	1	40	87	117
GN.17211	GN 212.4-24-M10-25-E	24	M10	16	10	40	44.5	2.5	25	101.5	176
GN.17212	GN 212.4-24-M10-32-E	24	M10	16	10	40	44.5	2.5	32	101.5	179
GN.17213	GN 212.4-24-M10-40-E	24	M10	16	10	40	44.5	2.5	40	101.5	183
GN.17214	GN 212.4-24-M10-50-E	24	M10	16	10	40	44.5	2.5	50	101.5	189
GN.17221	GN 212.4-28-M12-32-E	28	M12	19	12	48.5	53	4.5	32	116	290
GN.17222	GN 212.4-28-M12-40-E	28	M12	19	12	48.5	53	4.5	40	116	295
GN.17223	GN 212.4-28-M12-50-E	28	M12	19	12	48.5	53	4.5	50	116	302
GN.17224	GN 212.4-28-M12-63-E	28	M12	19	12	48.5	53	4.5	63	116	312
GN.17231	GN 212.4-33-M16-32-E	33	M16	23	12	55	60.5	6	32	131.5	426
GN.17232	GN 212.4-33-M16-40-E	33	M16	23	12	55	60.5	6	40	131.5	437
GN.17233	GN 212.4-33-M16-50-E	33	M16	23	12	55	60.5	6	50	131.5	449
GN.17234	GN 212.4-33-M16-63-E	33	M16	23	12	55	60.5	6	63	131.5	468
GN.17241	GN 212.4-40-M20-50-E	40	M20	28	14	68	73.5	6	50	148	765
GN.17242	GN 212.4-40-M20-63-E	40	M20	28	14	68	73.5	6	63	148	792
GN.17243	GN 212.4-40-M20-80-E	40	M20	28	14	68	73.5	6	80	148	824



Clamping levers